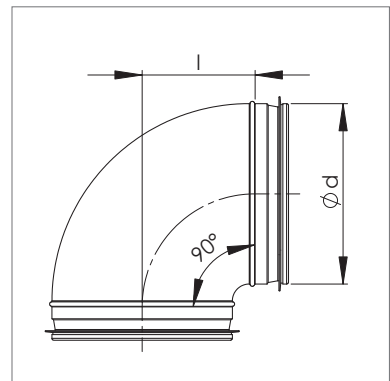


NVKP 90° Pressed bend, short

Nominal size d	l mm	Weight kg
100	65	0,2
125	78	0,3
160	95	0,5



Product codes

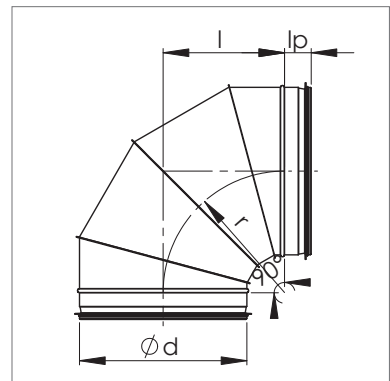
NVKP	Ø d	90
Marking	Diameter	Angle

Example: NVPK 315-90

NVK 90° Bend, short

Ventilation system bend, consists of rolled sectors. $R \sim 0,6 * d$

Nominal size d ₁	l mm	Weight kg
200	135	1,1
250	165	1,4
315	185	1,9
400	230	3,9
500	290	6,3
630	395	8,4
800	480	16
1000	580	29
1250	700	40



Product codes

NVK	Ø d	90
Marking	Diameter	Angle

Example: NVK 315-90